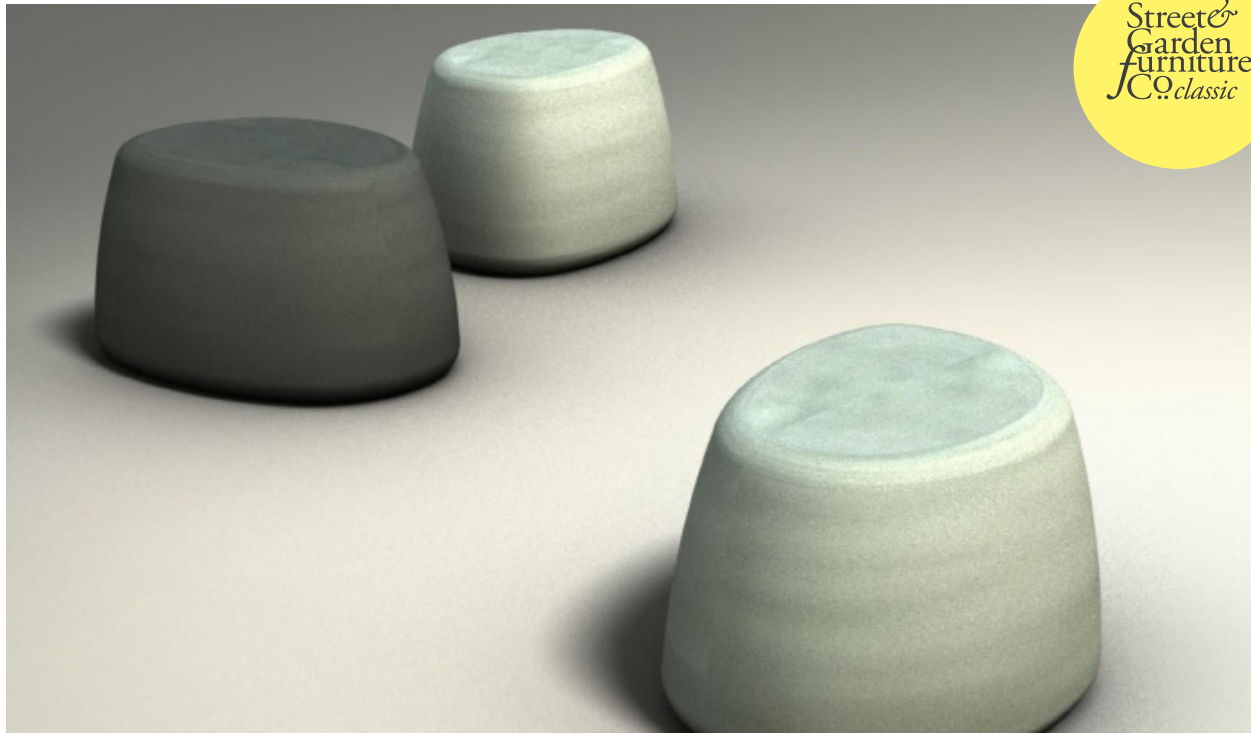


Pebble Stool

Design by Surya Graf

Pebble is a simple, whimsical yet inherently practical stool for any installation. Cast in Tournesol's lightweight GFRC concrete, it is durable, natural, yet surprisingly comfortable!

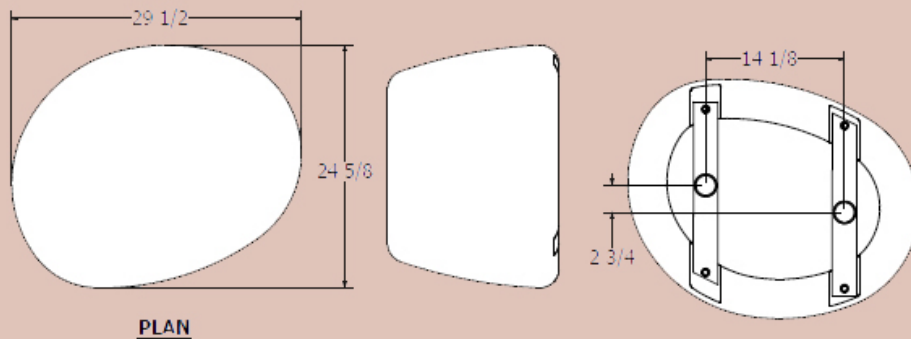
The seat top is slightly domed to prevent water from building up on the top. An internal bracket system (similar to our other GFRC benches) allows the Pebble to be anchored if required.



- Simple, solid, comfortable
- Available with concealed brackets for permanent mounting.

Specifications

Part No.	Description	Size	Colors	Weight
YC-01	Small Pebble Stool, GFRC Concrete.	29.5"L x 24.6"W x 18"H	Natural Concrete or Tournesol GFRC colors.	150 lbs.
YC-02	Medium Pebble Stool, GFRC Concrete	41"L x 29.5"W x 17.75"H	Natural Concrete or Tournesol GFRC colors	200 lbs.
YC-03	Large Pebble Stool, GFRC Concrete	71"L x 29.5"W x 17.75"H	Natural Concrete or Tournesol GFRC colors	300 lbs.



Tournesol
SITE WORKS

tournesolsiteworks.com
800.542.2282

Y716
©2016,
Tournesol Siteworks